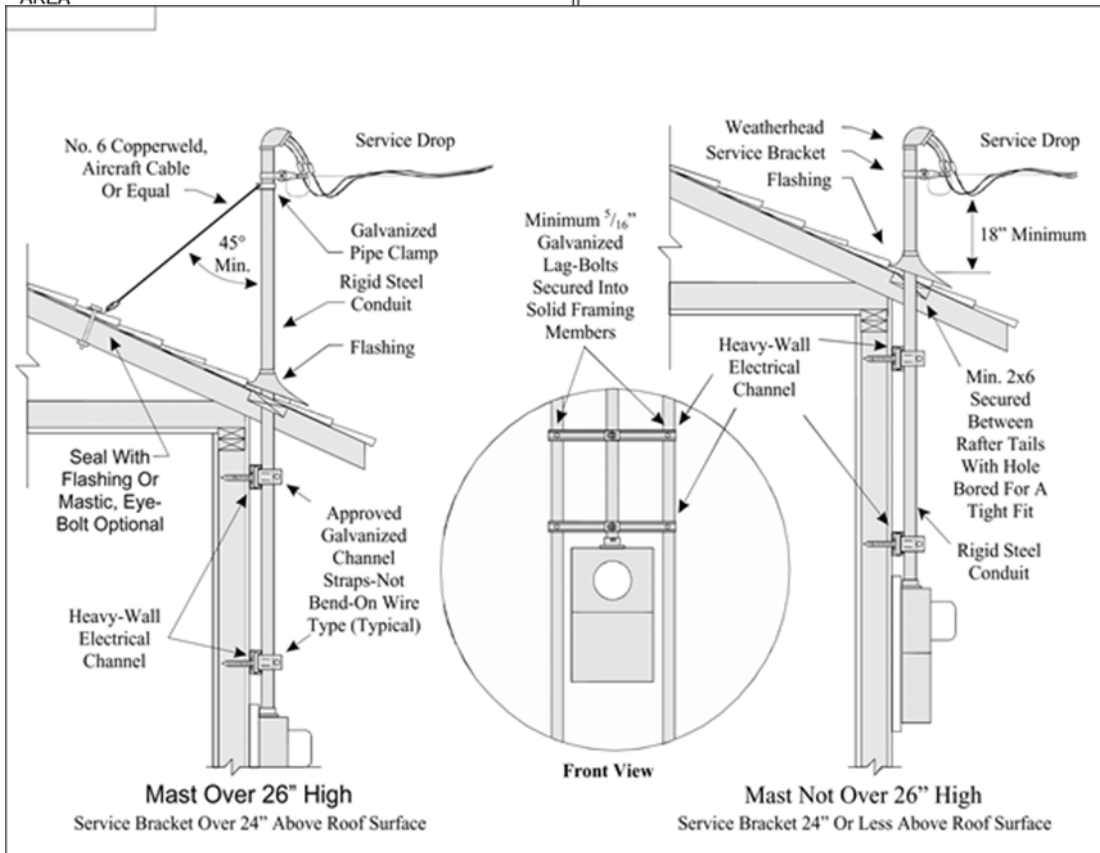
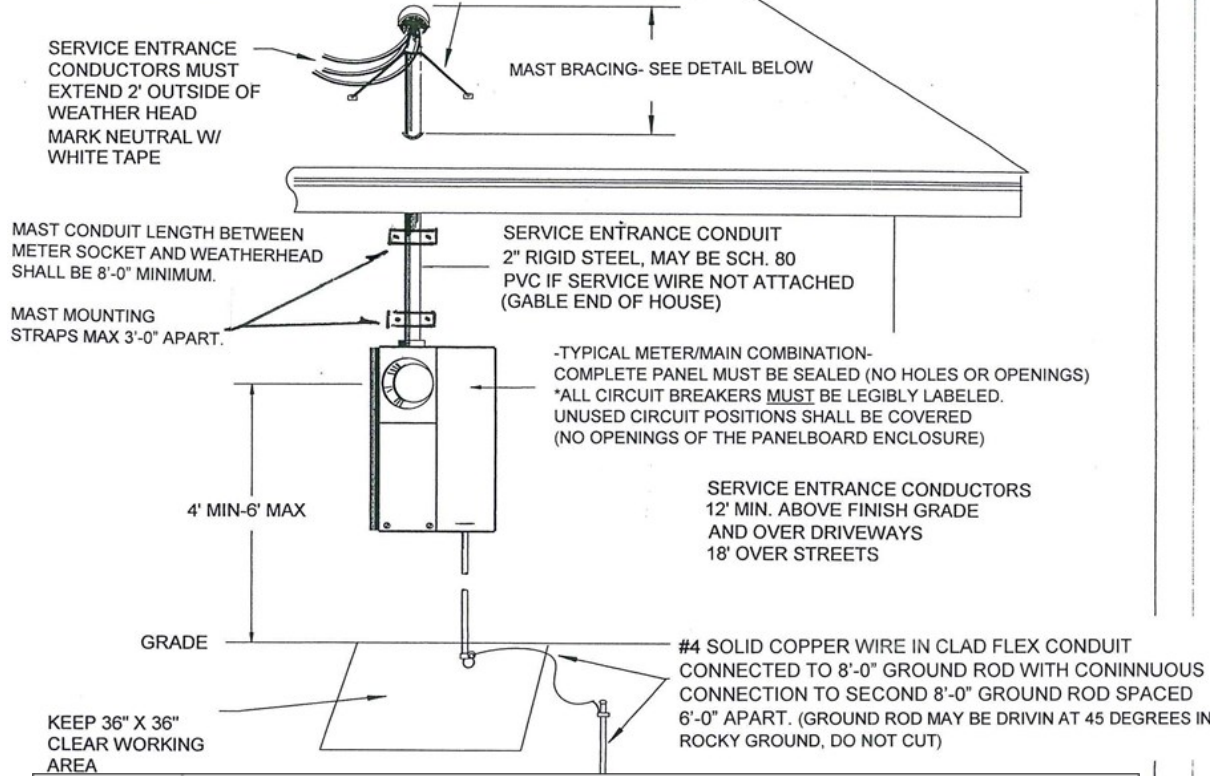




# Electrical Service Panel Installation

DEPARTMENT OF PLANNING AND BUILDING SERVICES  
 707 Nevada Street, Suite 5 Susanville, CA 96130-3912  
 (530) 251-8269 (530) 251-8373 (fax)  
 www.co.lassen.ca.us.

## -TYPICAL RESIDENTIAL METER SOCKET COMBO-



# Electrical Service Panel Installation

## Page 2

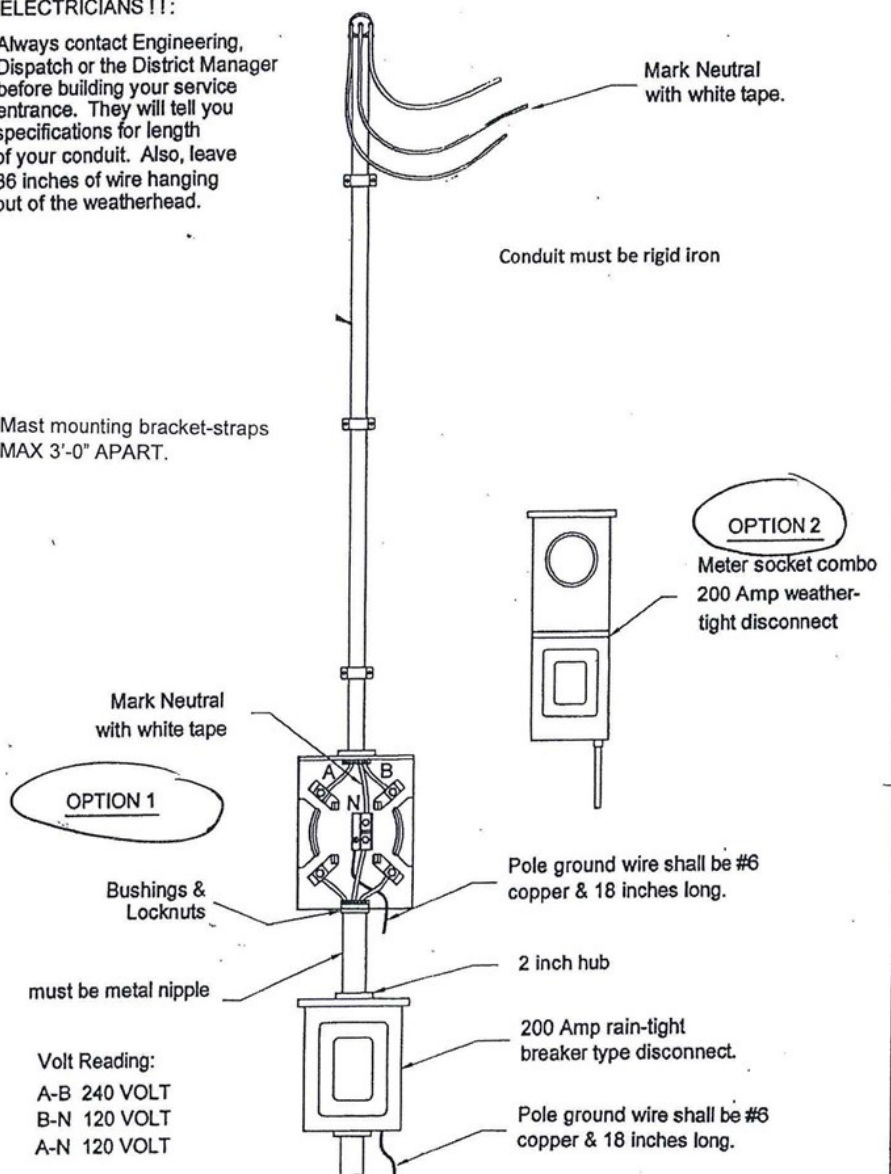
### COMMON PROBLEMS WHICH WILL NOT ALLOW YOUR PANEL TO BE TAGGED OR PASS INSPECTION:

1. NO PERMIT FOR ELECTRICAL PANEL.
2. BREAKERS NOT LABELED.
3. CUTTING THE GROUND ROD.
4. WRONG GROUND CLAMP.
5. OPEN UNUSED CIRCUIT POSITIONS.
6. USED, DAMAGED OR FIELD MODIFICATIONS TO PANEL.
7. METER SOCKET WRONG HEIGHT.
8. UNSECURED POLE/ LOOSE IN THE GROUND.
9. GROUND ROD NOT FULLY DRIVEN.
10. LOOSE OR MISSING PARTS.
11. NO STRAPS ON GROUND WIRE.
12. GFCI BOX NOT SECURED.
13. PANEL NOT STONGLY SECURED.
14. NOT APPROVED TREATED POLE.
15. WRONG SIZE WIRE TO GFCI .
16. MORE THAN ONE WIRE IN LUG.
17. SCREWS NOT TIGHT ON LUGS.
18. DIRT AND DEBRIS IN PANEL.
19. UNDERSIZED SERVICE ENTRANCE WIRE.
20. CRACKED/ BROKEN CIRCUIT BREAKER.
21. PVC JOINTS NOT GLUED/ WATER TIGHT.
22. SERVICE ENTRANCE NEUTRAL NOT MARKED.
23. ALL METAL RECEPTICAL BOXES MUST BE BONDED.

### ELECTRICIANS !!:

Always contact Engineering, Dispatch or the District Manager before building your service entrance. They will tell you specifications for length of your conduit. Also, leave 36 inches of wire hanging out of the weatherhead.

Mast mounting bracket-straps MAX 3'-0" APART.



Mark Neutral with white tape

**OPTION 1**

Bushings & Locknuts

must be metal nipple

Volt Reading:  
A-B 240 VOLT  
B-N 120 VOLT  
A-N 120 VOLT

Mark Neutral with white tape.

Conduit must be rigid iron

**OPTION 2**  
Meter socket combo  
200 Amp weather-tight disconnect

Pole ground wire shall be #6 copper & 18 inches long.

2 inch hub

200 Amp rain-tight breaker type disconnect.

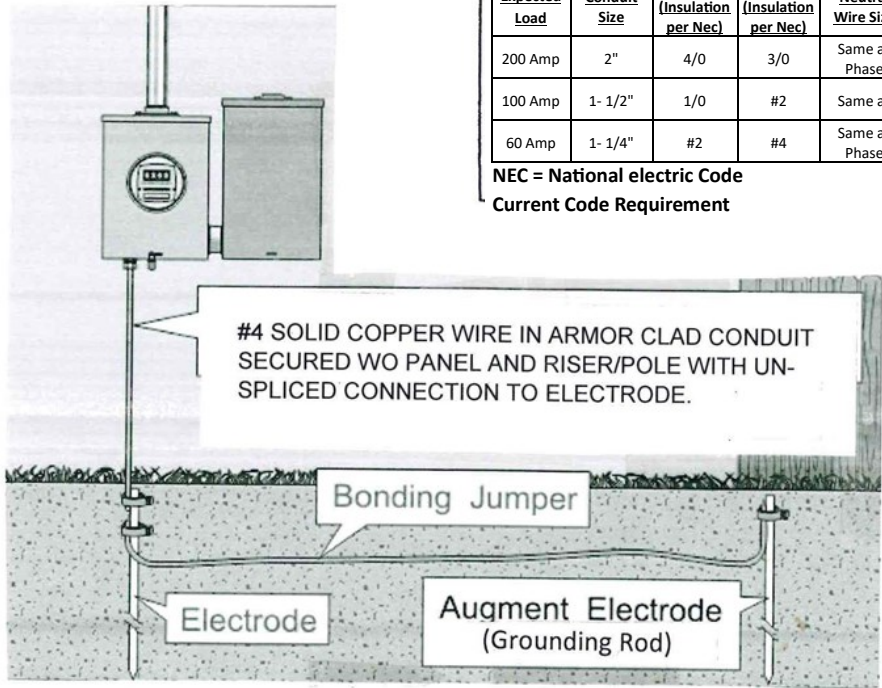
Pole ground wire shall be #6 copper & 18 inches long.

Expected Load	Conduit Size	Aluminum (Insulation per Nec)	Copper (Insulation per Nec)	Neutral Wire Size	Ground Wire Size
200 Amp	2"	4/0	3/0	Same as Phase	#6 Cu
100 Amp	1- 1/2"	1/0	#2	Same as	#6 Cu
60 Amp	1- 1/4"	#2	#4	Same as Phase	#6 Cu

120/240 volt  
Single Phase-Bottom connected pole meter loop.

NEC = National electric Code  
Current Code Requirement

Exhibit B



#4 SOLID COPPER WIRE IN ARMOR CLAD CONDUIT SECURED WO PANEL AND RISER/POLE WITH UN-SPLICED CONNECTION TO ELECTRODE.

Bonding Jumper

Electrode

Augment Electrode (Grounding Rod)